

**Move more LNG with Worthington’s multi-purpose, configurable ISO containers**

Worthington’s system, guidance and support makes your customer’s operation safe and efficient. Our team’s experience and expertise can put LNG to work for a variety of applications from regasification satellite plants for off-grid manufacturing facilities, to providing power to mobile generator sets, to bunkering LNG for marine applications.

**Worthington’s robust designs meet stringent off-shore safety and operations requirements**

- Can safely be stacked 7-high, with no overloading concerns
- Valves fail safe when cabinet doors open to prevent unsafe use
- Emergency push buttons at 4 corners, designed to operate safely without a pneumatic air feed

**Multi-purpose product offering**

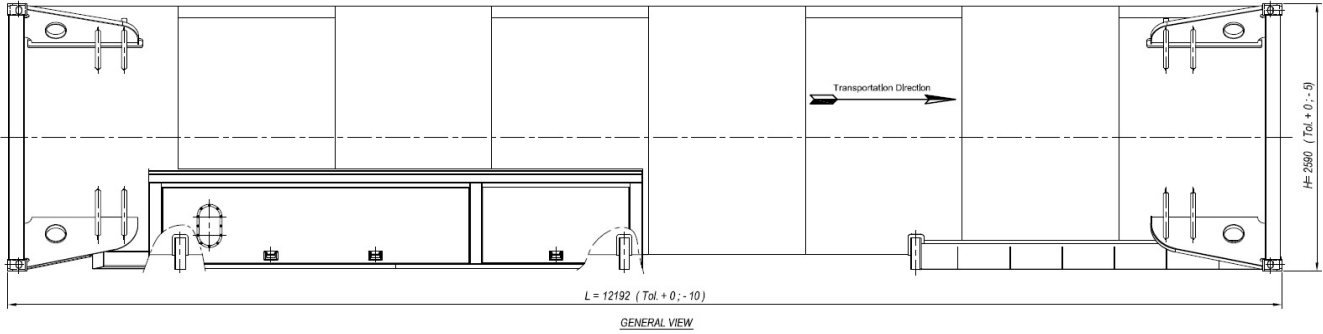
- Fill, Delivery, and Pressure Build options to suit any operation
  - Rear end fill option (side fill standard)
  - Front end delivery option (side delivery standard)
- Well-integrated gas delivery options for any application
  - Integrated offload pump for high flow or simple pressure building circuit for low flow
  - Optimize space with modular/boxed vaporizers that can be end-mounted or even-mounted below the ISO container
  - Dual, automatic switching ambient vaporizers for continuous duty regasification applications
- Goose neck trailer attachment lowers the center of gravity to provide safer, more efficient transport
- Stainless steel outer vessel and weight-reduced models available for sensitive applications



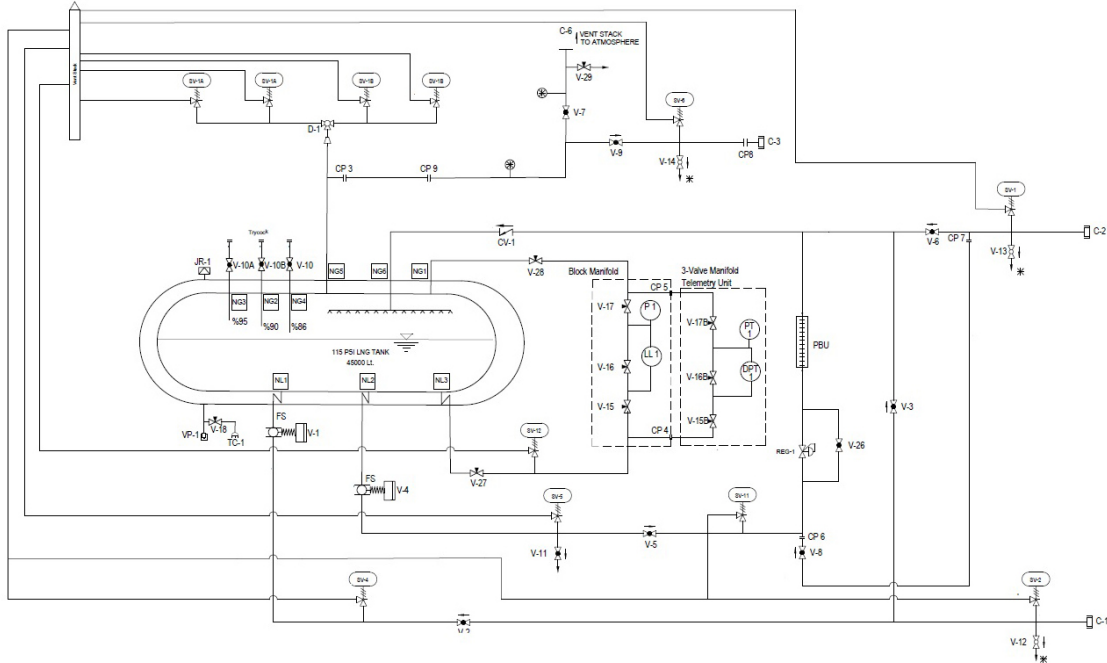
Gross Capacity (gal)	11,888
Net Capacity (gal)	11,316
Pressure (psig)	115 MAWP
Tare Weight (lbs)	27,117
Loaded Weight w/LNG (lbs)	79,366
Standard vaporizer Flow Rates (gal/min)	Up to 50
Max Offload Flow Rates (gal/min)	Up to 175
Hold Time and NER	90 day hold time, 0.3% evaporation per day
Certifications	DOT, TC, ISO 1496-3, ASME Sec VIII, Div.1., CSC, ADR, RID, IMDG

Ask us about pending certifications of our ISO containers for Cryogenic Ethane, Off-shore use, Coast Guard Approval for inland waterways  
**20' LIN/LOX/LAR/LNG**  
**40' LNG**

Standard ISO Container



Standard ISO Container P&ID



Our application engineers are available to help find the proper equipment for your application.