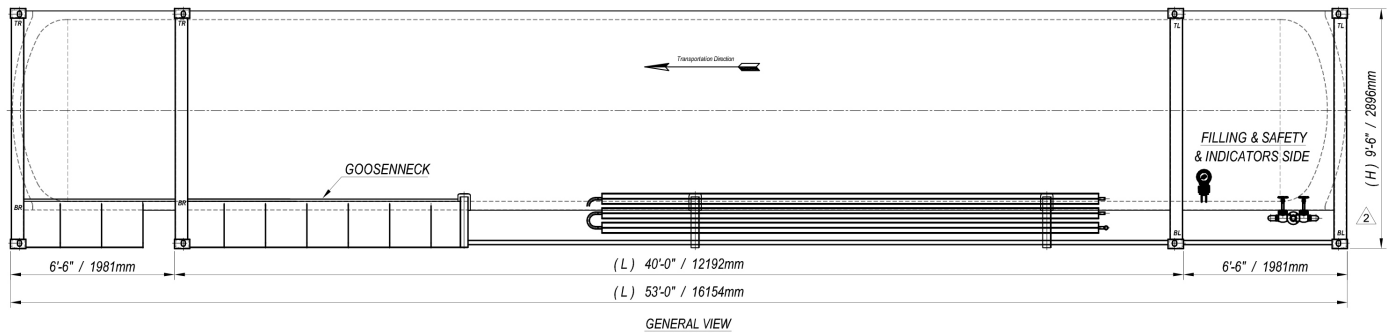


LNG

MOBILE STORAGE CONTAINER



Store more LNG with this versatile mobile storage container that can be moved, empty, on a flatbed gooseneck trailer. The ability to withdraw gas and liquid provides flexibility to your operation and provides more applications from one piece of equipment. Liquid pumping capability allows it to be used for LNG or CNG fueling stations while a gas setup provides flexibility for use as a mobile regasification unit. All of these options provide flexibility and allow you to lower your inventory and investments, providing you short payback times and more profit.

### Applications

- LNG fueling stations
- Mobile and permanent regasification
- Off grid industrial boilers or burners
- LNG pump system

### Features

- Framed for easy transportation on a 53 foot gooseneck flatbed trailer
- Maximized capacity for a 53 foot footprint
- Multiple withdrawal ports for liquid and gas withdrawal
- Large pressure builder for quick offloading

### Optional Features

- Offload or onload pump for quick onloading and offloading or use as a mobile fueling station
- Electric vaporizer for mobile regasification in a compact package

Gross Capacity (gal)	15,100
Net Capacity (gal)	14,345
Dimensions (ft)	53 L x 9.5 H x 8 W
Empty Weight (lbs)	39,400
MAWP (psig)	150
Design Certifications	CRN, ASME

**Our application engineers are available to help find the proper equipment for your application.**