

ZERTIFIKAT CERTIFICATE

(Konformitätsbescheinigung) / (of conformity)

EG-Baumusterprüfung

EC type-examination

nach Richtlinie 1999/36/EG / according to directive 1999/36/EC

Zertifikat-Nr. / Certificate No. 07-202-1410 Z 0578/9/D/0157

Name und Anschrift des Herstellers / Structural Composites Industries
Name and address of bearer/ manufacturer: 325 Enterprise Place,
Pomona
USA-CA 91767-3268

Hiermit wird bescheinigt, dass das unten genannte EG-Baumuster die Anforderungen der Richtlinie 1999/36/EG erfüllt. We hereby certify that the type examination mentioned below fulfils the requirements of directive 1999/36/EC.

Geprüft nach Richtlinie 1999/36/EG
Tested according to 1999/36/EC

EG-Baumusterprüfung (Modul B)
EC type-examination (module B)

Beschreibung des Baumusters:
Description of type:

Vollwickelte Flaschen aus Verbundwerkstoffen mit Aluminium-Liner / fully wrapped composite cylinders with aluminium liner

Durchmesser / diameter: 136 mm

Länge / length: 350 mm

Inhalt / volume: 3,0 Liter / litre

Prüfdruck / test pressure: 450 bar

Lebensdauer / service life: 15 Jahre / Years

Zeichnungs-Nr. / drawing no.: ALT 724E

Auslegungsstandard / design standard:

DIN EN 12245:2002

Fertigungsstätte / Place of manufacture:

Structural Composites Industries,
325 Enterprise Place, Pomona, USA-CA 91767-3268

Gültig bis / valid until:

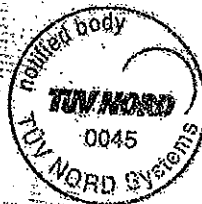
17.12.2019

Essen: 18.12.2009

Zertifizierungsstelle für Druckgeräte
der TUV NORD Systems
GmbH & Co. KG

Matthaei, Dipl. Ing.

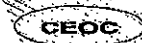
Benannte Stelle / Notified Body: 0045



TUV NORD Systems
GmbH & Co. KG
Am Technologiepark 1
45307 Essen, Germany

Tel: +49 (0) 201/825-2680
Fax: +49 (0) 201/825-2861
e-mail: hwainbarger@tuv-nord.de

Mitglied der
Member of

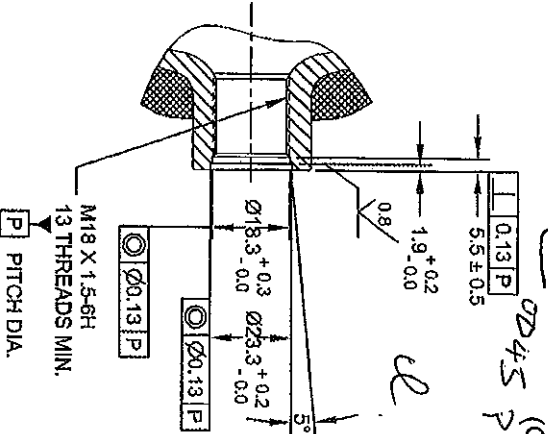


CONFÉDÉRATION EUROPÉENNE D'ORGANISMES DE CONTRÔLE

REVISIONS (CAD CONTROLLED DO NOT MANUALLY REVISE)

LTR	DCN	DESCRIPTION	DATE	APPROVED
A	6327	UPDATED LABEL INFO.	10-23-09	TN

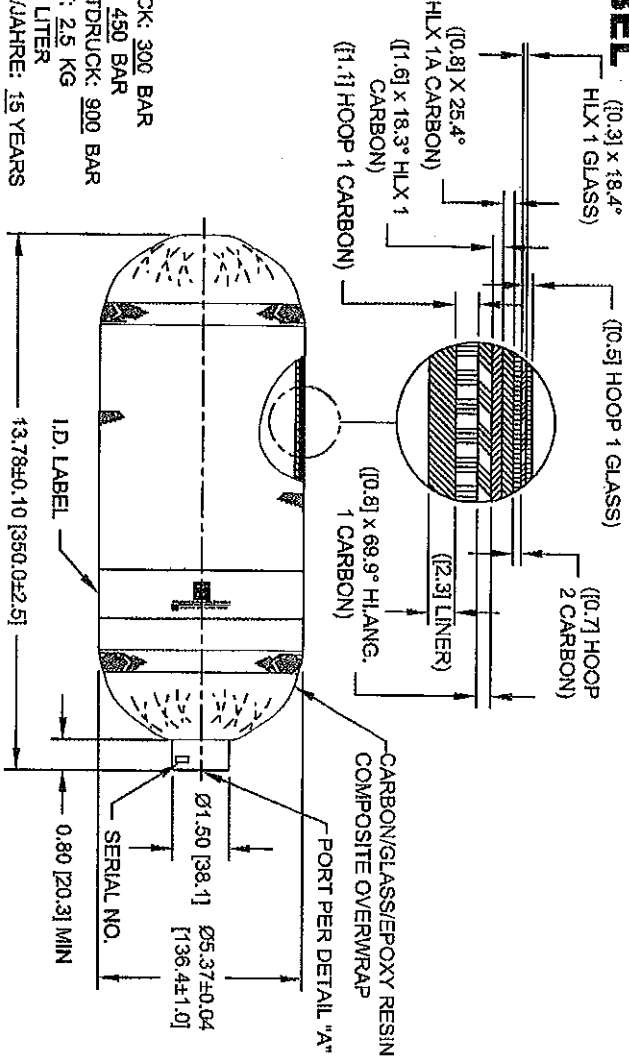
GENERIC I.D. LABEL



- NOTES:**
- BETRIEBSDRUCK: 300 BAR
 - PRUEFDRUCK: 450 BAR
 - MINDESTBERSTDRUCK: 900 BAR
 - MAX. GEWICHT: 2.5 KG
 - VOLUMEN: 3.0 LITER
 - LEBENSDAUER/JAHRE: 15 YEARS
 - PRUEFUNG: EN 12245

DETAIL "A"

SCALE: NONE
(DIMENSION IN MILLIMETERS)



SCI PROPRIETARY AND CONFIDENTIAL
 THE INFORMATION CONTAINED IN THIS DRAWING IS THE SOLE PROPERTY OF STRUCTURAL COMPOSITES INDUSTRIES. ANY REPRODUCTION PART OR AS A WHOLE WITHOUT THE WRITTEN PERMISSION OF STRUCTURAL COMPOSITES INDUSTRIES IS PROHIBITED.

SPUN/PORTED LINER DWG.: 1272694	SHELL DWG.: 1272693
THIS DWG. DESCRIBES SCI MODEL/ALT 724E	QUAL/TEST REPORT:
SPECIFICATION: EN 12245	YIELD STRENGTH: 41,500 PSI
STANDARD STRESS RUN: SSR-724	LINER MATERIAL: 6061-T6 AL ALLOY
FILL PRESSURE: 4,350 psig (300 bar)	RESIN MATERIAL: EPOXY
SERV. PRESS: 5,426 psig (374bar)	REINFORCEMENT MATL: CARBON/ FIBER GLASS
TEST PRESSURE: 6,525 psig (450 bar)	APPROVED GASES: AS PER CUSTOMER AND SPECIFICATION REQUIREMENTS.
MIN. BURST PRESSURE: 13,050 psig (900bar)	SPECIFICATION REQUIREMENTS.
SERVICE LIFE: 15 YEARS	EXTERIOR PAINT: AS PER CUSTOMER AND SPECIFICATION REQUIREMENTS.
WATER CAPACITY: 183 cu. in. (3.0 liter) min	
EMPTY WEIGHT: 5.2 lbs. (2.4 kg) nom.	

APPROVALS	DATE
DESIGN: CUONG LE	03-11-03
CHECK: R. ALMAGRO	03-13-03
ENGRS: G. NEWMAN	03-13-03
MFG: T. HOLLENBECK	03-14-03
QA: R.L. BECK	03-17-03

UNLESS OTHERWISE SPECIFIED
 DIMENSIONS ARE IN INCHES
 DIMENSIONS IN [] ARE IN MILLIMETERS
 TOLERANCE ON DECIMALS
 XXX 0.05 XXXX 0.010
DO NOT SCALE DRAWING

COMPOSITE CYLINDER SPECIFICATION

CAGE CODE: **58943** DRAWING NO.: **ALT 724E**
 SCALE: NONE REL. DATE: 03-17-03 SHT 1 OF 1

