



Dessin industriel

Industrial Design

Certificat d'enregistrement

Certificate of Registration

Je certifie par la présente que le dessin identifié ci-dessous et représenté en annexe a été dûment enregistré conformément à la Loi sur les dessins industriels.

I hereby certify that the industrial design identified below and annexed hereto has been duly registered in accordance with the Industrial Design Act.

L'enregistrement est valide pour dix années, à compter de la date d'enregistrement inscrite ci-dessous, à condition que le droit de maintien ait été acquité.

The registration is valid for ten years from the registration date indicated below, subject to payment of the prescribed maintenance fee.

No d'enregistrement / Registration No. :

176031

Date d'enregistrement / Registration date :

22 août/Aug 2018

Propriétaire / Proprietor :

WORTHINGTON INDUSTRIES, INC.
200 W. OLD WILSON BRIDGE ROAD, COLUMBUS
OHIO, UNITED STATES OF AMERICA
43085

Commissaire aux brevets Commissioner of Patents

Certificat délivré le / Certificate issued:

22 août/Aug 2018

**DEMANDE D'ENREGISTREMENT
D'UN DESSIN INDUSTRIEL**

**APPLICATION FOR REGISTRATION
OF AN INDUSTRIAL DESIGN**

Le demandeur,
The applicant, WORTHINGTON INDUSTRIES, INC.

dont l'adresse complète est ,
whose complete address is

200 W. OLD WILSON BRIDGE ROAD, COLUMBUS, OHIO, UNITED STATES OF AMERICA, 43085

demande l'enregistrement d'un dessin pour un(e)
hereby requests registration of a design for a(n) CYLINDER SUPPORT TRUSS ASSEMBLY

dont il est le propriétaire.
of which the applicant is the proprietor.

À la connaissance du propriétaire, personne d'autre que le premier propriétaire du dessin n'en faisait usage
lorsque celui-ci en a fait le choix.

The design was not, to the proprietor's knowledge, in use by any person other than the first proprietor at the time the design was adopted by the first proprietor.

Description du dessin:

Description of the design:

The design is the visual features of the CYLINDER SUPPORT TRUSS ASSEMBLY shown in solid lines in the drawings, whether those features are features of one of shape, configuration, ornament or pattern or are a combination of these features. Portions shown in stippled lines do not form part of the design.

Drawings of the Design:

Fig. 1 is a perspective view of a CYLINDER SUPPORT TRUSS ASSEMBLY in accordance with said Industrial Design;

Fig. 2 is an opposite perspective view of the CYLINDER SUPPORT TRUSS ASSEMBLY of Fig. 1;

Fig. 3 is a right side elevation view of the design of Fig. 1, the left side elevation view being the mirror image thereof;

Fig. 4 is a front plan view of the design of Fig. 1;

Fig. 5 is a rear plan view of the design of Fig. 1;

Fig. 6 is a top view of the design of Fig. 1; and

Fig. 7 is a bottom view of the design of Fig. 1.

**A remplir seulement si le demandeur a un mandataire/
To be completed only if an applicant has an agent**

Nom du mandataire / Name of Agent :
GOWLING WLG (CANADA) LLP

Adresse complète / Complete address :
**SUITE 1020, 50 QUEEN STREET NORTH, KITCHENER
ONTARIO, CANADA
N2H 6M2**

**Lorsque le demandeur n'a pas d'établissement au Canada, le nom et l'adresse de son
REPRÉSENTANT AUX FINS DE SIGNIFICATION au Canada doivent être indiqués.**

**If an applicant has no place of business in Canada, the name and address of a REPRESENTATIVE
FOR SERVICE in Canada must be provided.**

Nom du représentant aux fins de signification / Name of representative for service :
GOWLING WLG (CANADA) LLP

Adresse au Canada du représentant aux fins de signification / Address in Canada of representative for
service :
**50 QUEEN STREET NORTH, SUITE 1020, P.O. BOX 2248 , KITCHENER
ONTARIO, CANADA
N2H 6M2**

Dessins - Drawings

Numéro d'enregistrement - Registration Number: 176031

Titre - Title: CYLINDER SUPPORT TRUSS ASSEMBLY

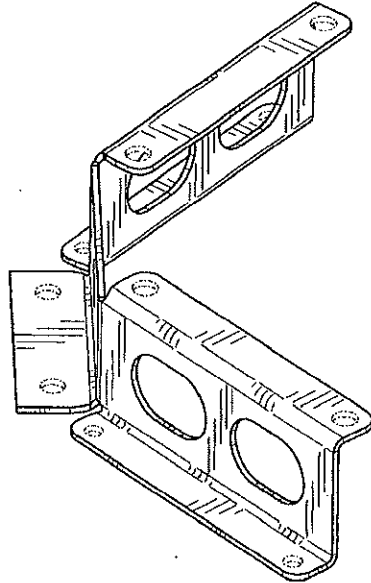


FIG. 2

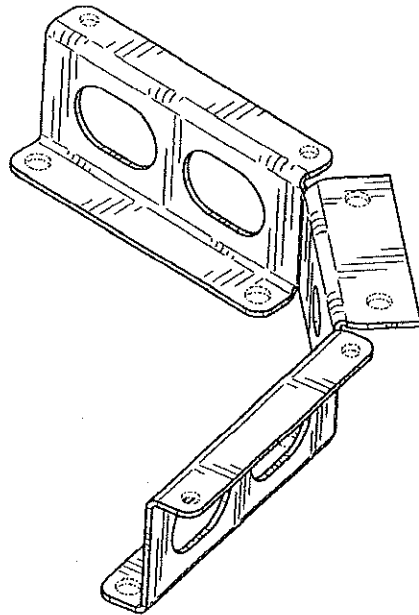


FIG. 1

Dessins - Drawings

Numéro d'enregistrement - Registration Number: 176031

Titre - Title: CYLINDER SUPPORT TRUSS ASSEMBLY

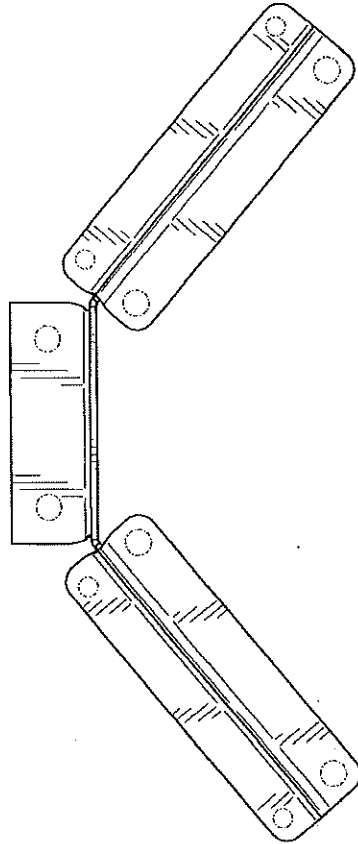


FIG. 4

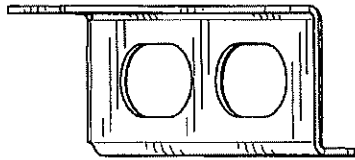


FIG. 3

Dessins - Drawings

Numéro d'enregistrement - Registration Number: 176031

Titre - Title: CYLINDER SUPPORT TRUSS ASSEMBLY

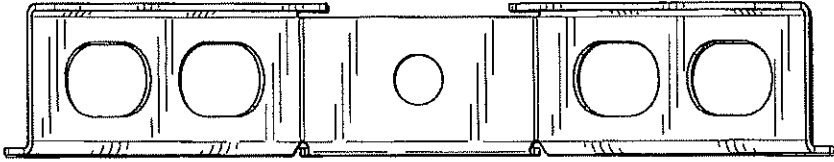


FIG. 6

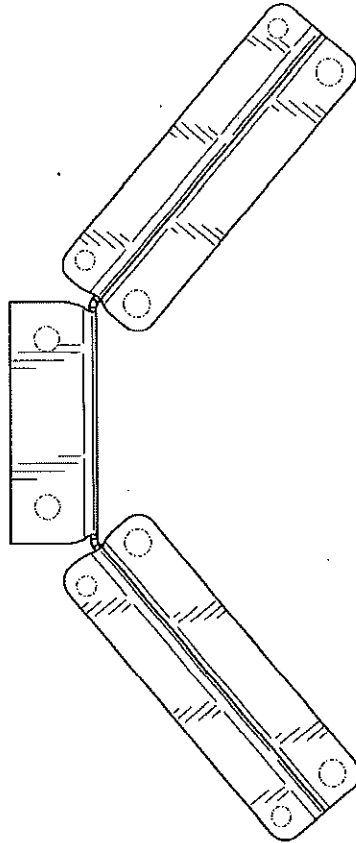


FIG. 5

Dessins - Drawings

Numéro d'enregistrement - Registration Number: 176031

Titre - Title: CYLINDER SUPPORT TRUSS ASSEMBLY

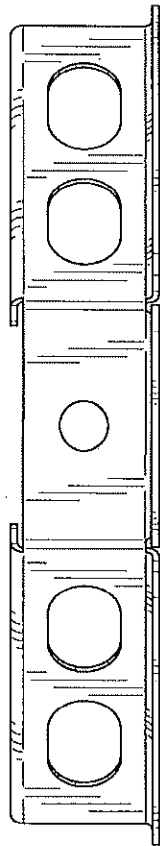


FIG. 7

Title: CYLINDER SUPPORT TRUSS ASSEMBLY
Registered Proprietor(s): WORTHINGTON INDUSTRIES, INC.
Current Owner(s): WORTHINGTON INDUSTRIES, INC.
Client Reference Number: K8001801CADIV2
Agent: GOWLING WLG (CANADA) LLP
Representative for Service: GOWLING WLG (CANADA) LLP
Court Order(s): N/A
Certificate of Correction: No
Term of Protection: 10 years
** Subject to payment of a maintenance fee
Maintenance Fee Paid: No

Canadian Classification:
003-05-05
Other Classes Searched:
003-05-01

References Considered:

Canadian Industrial Design Registrations

<u>Registration</u>	<u>Date</u>	<u>Title</u>
---------------------	-------------	--------------

Other Publications:

* = Cited by Examiner

Filing Date: 21/11/2016

Parent Registration No.: 171696
Divisional(s): 176030
176031
176032

Convention Priority Claim(s):

Convention Priority Claim(s) made in Parent Registration:

Country	Filing Date	Application No.
UNITED STATES OF AMERICA	21/05/2016	29/565,543

Description:

The design is the visual features of the CYLINDER SUPPORT TRUSS ASSEMBLY shown in solid lines in the drawings, whether those features are features of one of shape, configuration, ornament or pattern or are a combination of these features. Portions shown in stippled lines do not form part of the design.

Drawings of the Design:

Fig. 1 is a perspective view of a CYLINDER SUPPORT TRUSS ASSEMBLY in accordance with said Industrial Design;

Fig. 2 is an opposite perspective view of the CYLINDER SUPPORT TRUSS ASSEMBLY of Fig. 1;

Fig. 3 is a right side elevation view of the design of Fig. 1, the left side elevation view being the mirror image thereof;

Fig. 4 is a front plan view of the design of Fig. 1;

Fig. 5 is a rear plan view of the design of Fig. 1;

Fig. 6 is a top view of the design of Fig. 1; and

Fig. 7 is a bottom view of the design of Fig. 1.

Correction(s): N/A

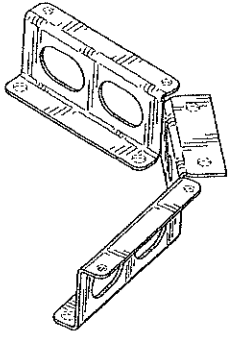


FIG. 1

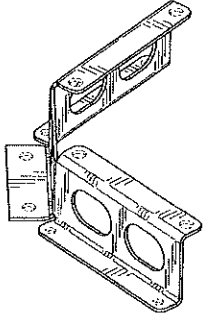


FIG. 2

AVIS AUX PROPRIÉTAIRES DES DESSINS INDUSTRIELS

Cet enregistrement de dessin industriel est valide jusqu'au 22 août 2023.

N'importe quand avant cette date vous pouvez demander le maintien du dessin pour une période supplémentaire de cinq ans. Les frais de maintien sont prévus à *l'Annexe 2 : Tarif des droits du Règlement sur les dessins industriels*.

Un délai de six mois à partir de la date mentionnée ci-haut est possible pendant lequel on peut encore demander le maintien du dessin. Toutefois, un droit supplémentaire prévu à *l'Annexe 2 : Tarif des droits du Règlement sur les dessins industriels* doit accompagner le paiement.

Une fois que la période "de grâce" de six mois est écoulée, le droit d'exclusivité ne peut plus être maintenu. Dès lors, le dessin fera partie du domaine public.

Afin de maintenir un dessin industriel, une demande par écrit ainsi que le frais complet, en monnaie canadienne, doivent parvenir au Bureau des dessins industriels par ou avant la date d'échéance.

NOTICE TO REGISTRANTS OF INDUSTRIAL DESIGNS

This design registration is valid until August 22, 2023.

At any time prior to that date you may request that the design be maintained for a further five years. The maintenance fees are as prescribed by *Schedule 2: Tariff of Fees of the Industrial Design Regulations*.

A six-month "grace period" is allowed. A request for maintenance made after the date noted above but within six months of that date requires an additional amount as prescribed by *Schedule 2: Tariff of Fees of the Industrial Design Regulations*.

Once the six-month "grace period" has elapsed, the design can no longer be maintained and the term of exclusive right ends. From then on, the design would be in the public domain.

To maintain a design, a written request along with the full fee, in Canadian dollars, must be received in the Industrial Design Office on or before the due date.